

Series 7400 Vaneaxial Fans

Designs 7410, 7412, 7413 & 7416



Series 7400 Vaneaxial Fans

The Northern Series 7400 Vaneaxial fan is one of the most rugged axial fans available on the market. It is designed for air supply and ventilation applications where high efficiency, low tip speed and quiet operation are a priority. The formed airfoil fan blades allow the Northern Vaneaxial to run significantly slower than conventional cast axial fan wheels, yet produce the same volume and pressure characteristics. The result is quiet performance. This fan series is available in a variety of configurations including clamshell, power roof exhausters, mushroom hood, and roof exhausters. The 7400 Vaneaxial fan line can be constructed from a variety of materials, including mild steel, stainless steel, and aluminum.

Commercial general supply, return air, and exhaust ventilation:

Public Buildings
Hospitals
Warehouses
Offices
Department Stores
Schools

Industrial Supply and Exhaust:

Spraybooth Supply and Exhaust
Industrial Building Exhaust
Industrial Process Exhaust

The ratings shown for the Series 7400, Designs 7410, 7412, 7413, and 7416 Vaneaxial Fans are based on tests and procedures performed in accordance with AMCA publication 210.

Design Features	2
General Information	3
Design Specifications	4
Accessories	5
Selection	7
Performance Data	8

Vaneaxial Wheel

Superior combination of efficient operation and rugged, dependable service.

Bearings

Heavy duty bearings sized for generous B-10 life.

Shaft

Turned ground and polished or fully machined to close tolerance for smooth operation.



Housing

Rugged heavy gauge all welded steel housing.

Balancing

Wheel and shaft assemblies are dynamically balanced to ISO 1940 specifications for smooth operation.

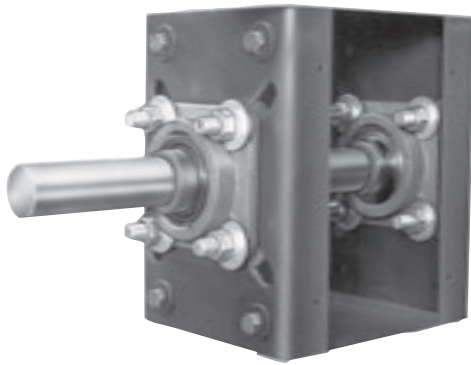
Shafts and Bearings

Shafts

Selected to have suitable strength and operate well below the first critical speed for each operating condition.

Bearings

Anti-friction, grease lubricated, manufactured to internationally adopted standards by companies having worldwide acceptance and support services. Bearings are selected for continuous operation with a generous bearing life.



Capacities

Catalogued up to 110,000 CFM.

Pressures

Catalogued up to 3-1/2" WG.

Temperatures

The high temperature operating limit is 150°F.

Arrangements and Configurations

This catalogue primarily refers to arrangement 9 fans. Northern Blower Vaneaxial fans are also available in arrangement 4.

Design 7410 Vaneaxial Wheel

The Northern Blower Vaneaxial wheel is designed for high operating efficiency. Blades are formed from heavy gauge steel. Catalogued from 15" to 73" diameters.



Design 7410 Vaneaxial Fans

Sizes 1500 to 5425 c/w steel casing with punched integrally rolled mounting flanges. Punched square end panels are standard on size 6000 to 7300. Panels are reinforced to serve as horizontal or vertical mounts. All sizes c/w flange or pillow block anti-friction ball or roller bearings. Fans may be supplied for horizontal or vertical operation.



Design 7412 Vaneaxial Power Roof Exhauster

All sizes c/w steel casing, square mounting curb base, windguard (c/w hinged backdraft dampers, 1/2" cold rolled steel shaft, nylon bushings), and flange or pillow block anti-friction ball or roller bearings.



Design 7413 Vaneaxial Mushroom Roof Exhauster

All sizes c/w steel casing, square mounting curb base, mushroom hood (spun hood, sizes 1500 to 3300; square profile hood, sizes 3650 to 6000), and flange or pillow block anti-friction ball or roller bearings.



Design 7416 Clamshell Fans

Available in sizes 2450 to 5425. Includes steel casing with punched mounting flanges, full length 180° access doors and split bearing tunnel for easy removal of wheel, shaft and bearing assembly, and pillow block anti-friction ball or roller bearings.



Weatherhood

Fabricated steel hood is closed on all sides to completely enclose both motor and drive for weather protection.



Streamline Inlet

Steel orifice ring, punched to match fan flange.



Outlet Cone

(Designs 7410 & 7416 only) Cones are flanged and punched at both ends. Holes in small end match those in the fan housing flange.



Horizontal Mounting Lugs

Four steel "C" shaped brackets welded two per side of casing at 3 o'clock and 9 o'clock position. Holes in top and bottom can accommodate suspension hanging rods.



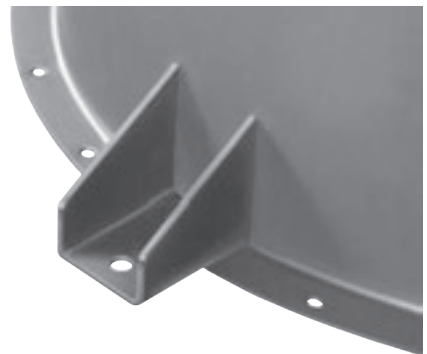
Horizontal Mounting Feet

Two mounting brackets welded to fan flange, for floor mount or top position for ceiling mount.



Vertical Mounting Lugs

Four channel type lugs welded to fan casing at 90° on the circle at inlet or discharge side.



Variable Inlet Vanes

Available for both manual and automatic operation to temperatures of 150°F. Variable inlet vanes pre-spin the air in the direction of wheel rotation for greater power savings at reduced air volumes.



Belt Guard

Guard is fabricated sheet metal enclosed on all sides with punched slotted cover plate for ventilation of drive.



Spraybooth Access Door

(Design 7410 only.) One large door is provided on sizes 1500 and 1825, two large doors on sizes 2000 to 5425. Access Door is held in place by stainless steel, captive, quick lock compression handles, and gasketed with neoprene. On two door system, doors are hinged at 30° above horizontal center line.

Additional Accessories

- Motor and Drive Mounting
- Windguard and Butterfly Damper
- Curb Cap Mounting Base
- Mushroom Cap
- Inlet Cone
- Flush Access Door
- Spark Resistant Construction
- Companion Flange Inlet or Outlet
- Oversized Motor Base
- Extension Channels
- Spring or RIS Isolation
- 4 Blade Reduced Pitch Wheel
- Special Coating
- Special Metals

Fan Selection at Elevated Temperature and Altitude

Fan Selection Table

Ratings shown in the Performance Tables are based on standard air density of .075 pounds per cubic foot at the fan Inlet. Standard air is dry air at 70°F and 29.92" Hg barometric pressure. When air density varies from standard, due to temperature or altitude changes, the Air Density Correction Factor Table is applied. Refer to the sample selection that follows.

Note that data in the selection tables is based on a fan with easé and does not include the effects of accessories such as inlet dampers, outlet dampers, or other components in the air stream.

Air Density Correction Factor							
Air Temp °F	Elevation (Feet) above Sea Level						
	0	500	1000	2000	3000	4000	5000
0	.87	.88	.90	.93	.97	1.00	1.04
70	1.00	1.02	1.04	1.08	1.12	1.16	1.20
100	1.06	1.08	1.10	1.14	1.18	1.22	1.27
150	1.16	1.18	1.20	1.24	1.29	1.33	1.39

Performance correction factors for arrangement 9 Belt Drive fans with no outlet cones: Increase RPM by 3%; Increase BHP by 8%

D/7412		D/7413	
OV Range	SP Correction	OV Range	SP Correction
up to 2700	1/8"	up to 2700	1/8"
2800-4000	1/4"	2800-4000	1/4"
above 4000	3/8"		

Sample Selection of a Belt Drive Fan

Select a fan for the operating conditions of 14,000 CFM at 1-1/4" SP, 150°F and 1000 feet elevation.

- 1) Multiply the Operating SP by the Air Density Correction Factor to obtain Equivalent SP:

$$\text{Equivalent SP} = \text{Operating SP} \times \text{Air Density Corr. Factor} \\ = 1\text{-}1/4" \times 1.20 = 1\text{-}1/2"$$

- 2) From the Performance Tables, select the fan size. For 14,000 CFM at 1-1/2" SP an efficient selection would be a size 3300 fan. Interpolating from the Performance Table given on page 14, the selected fan

performance is 1056

RPM and 5.94 BHP at standard temperature and pressure.

- 3) Divide the Equivalent BHP by the Air Density Correction Factor to obtain the Operating BHP:

$$\text{Operation BHP} = \frac{\text{Equivalent BHP}}{\text{Air Density Correction Factor}} \\ = \frac{5.94}{1.20} = 4.95 \text{ BHP}$$

Wheel Diameter = 30.00 in.
Outlet Area = 7.32 sq. ft. (with cone)
Outlet Area = 4.91 sq. ft. (without cone)
Tip Speed, fpm = 7.85 x RPM

Size

3000

Maximum RPM 1783

Design 7410 Vaneaxial Fans

Volume O.Vel		1/8"SP		1/4"SP		3/8"SP		1/2"SP		5/8"SP		3/4"SP		7/8"SP		1"SP		1-1/8"SP		1-1/4"SP	
CFM	FPM	RPM	BHP	RPM	BHP	RPM	BHP	RPM	BHP	RPM	BHP	RPM	BHP	RPM	BHP	RPM	BHP	RPM	BHP	RPM	BHP
5000	679	414	0.22	485	0.36	558	0.53														
5500	747	441	0.26	507	0.41	572	0.58	635	0.78												
6000	815	469	0.31	530	0.46	589	0.64	651	0.85	705	1.07										
6500	883	497	0.37	555	0.53	610	0.71	666	0.92	721	1.15	769	1.38								
7000	951	525	0.44	582	0.60	633	0.79	683	1.00	736	1.24	787	1.49	830	1.74						
7500	1019	555	0.52	608	0.69	657	0.88	704	1.09	752	1.33	801	1.59	848	1.87	888	2.13				
8000	1087	584	0.60	636	0.78	682	0.98	727	1.20	771	1.43	816	1.70	862	1.98	906	2.27	944	2.56	978	2.83
8500	1155	614	0.70	663	0.89	708	1.09	751	1.31	792	1.55	834	1.82	877	2.10	920	2.41	961	2.72	998	3.02
9000	1223	644	0.81	691	1.01	735	1.22	776	1.45	815	1.69	854	1.95	894	2.24	935	2.54	976	2.87	1014	3.20
9500	1291	674	0.93	720	1.13	762	1.35	801	1.59	839	1.84	876	2.10	913	2.39	951	2.69	990	3.02	1029	3.36
10000	1359	705	1.06	749	1.27	789	1.50	828	1.74	864	2.00	899	2.27	934	2.55	970	2.86	1006	3.18	1043	3.53
10500	1427	736	1.20	778	1.43	817	1.66	854	1.91	890	2.17	924	2.45	957	2.74	990	3.04	1024	3.37	1059	3.71
11000	1495	767	1.36	807	1.59	845	1.84	882	2.10	916	2.36	949	2.65	981	2.94	1013	3.25	1045	3.57	1077	3.92
11500	1562	798	1.53	837	1.78	874	2.03	909	2.29	942	2.57	974	2.86	1005	3.15	1036	3.47	1066	3.79	1097	4.14
12000	1630	829	1.72	867	1.97	903	2.23	937	2.51	969	2.79	1000	3.08	1031	3.39	1060	3.71	1089	4.04	1119	4.38
12500	1698	860	1.92	897	2.18	932	2.46	965	2.74	996	3.03	1027	3.33	1056	3.64	1085	3.96	1113	4.30	1141	4.65
13000	1766	892	2.14	927	2.41	961	2.69	993	2.98	1024	3.28	1054	3.59	1082	3.91	1110	4.23	1138	4.57	1165	4.93
13500	1834	923	2.37	958	2.65	990	2.94	1022	3.24	1052	3.55	1081	3.87	1109	4.19	1136	4.53	1163	4.87	1189	5.23
14000	1902	955	2.62	988	2.91	1020	3.22	1051	3.52	1080	3.84	1108	4.16	1136	4.49	1162	4.84	1189	5.19	1214	5.55
14500	1970	986	2.89	1019	3.19	1050	3.50	1080	3.82	1108	4.14	1136	4.48	1163	4.82	1189	5.17	1215	5.53	1239	5.89
15000	2038	1018	3.18	1050	3.49	1080	3.81	1109	4.13	1137	4.47	1164	4.81	1190	5.16	1216	5.51	1241	5.88	1265	6.26
15500	2106	1050	3.48	1081	3.81	1110	4.14	1138	4.47	1166	4.81	1192	5.16	1218	5.52	1243	5.88	1268	6.26	1291	6.64
16000	2174	1082	3.81	1112	4.14	1140	4.48	1168	4.83	1195	5.18	1221	5.54	1246	5.90	1270	6.27	1294	6.65	1318	7.04
16500	2242	1113	4.16	1143	4.50	1171	4.85	1198	5.20	1224	5.56	1249	5.93	1274	6.30	1298	6.68	1322	7.07	1345	7.46
17000	2310	1145	4.53	1174	4.88	1201	5.24	1228	5.60	1253	5.97	1278	6.34	1302	6.72	1326	7.11	1349	7.51	1372	7.91
17500	2378	1177	4.92	1205	5.28	1232	5.65	1258	6.02	1283	6.40	1307	6.78	1331	7.17	1354	7.56	1377	7.97	1399	8.38
18000	2446	1210	5.33	1237	5.70	1263	6.08	1288	6.46	1313	6.85	1336	7.24	1359	7.64	1382	8.04	1405	8.46	1426	8.87
18500	2514	1242	5.76	1268	6.15	1294	6.53	1318	6.93	1342	7.32	1365	7.72	1388	8.13	1411	8.55	1432	8.96	1454	9.39
19000	2582	1274	6.22	1300	6.62	1325	7.01	1349	7.41	1372	7.82	1395	8.23	1418	8.65	1439	9.07	1461	9.49	1482	9.93
19500	2649	1306	6.71	1331	7.11	1355	7.51	1379	7.92	1402	8.34	1425	8.76	1447	9.18	1468	9.61	1489	10.05	1510	10.49
20000	2717	1338	7.21	1363	7.63	1386	8.04	1410	8.46	1432	8.89	1454	9.32	1476	9.75	1497	10.19	1518	10.63	1538	11.08
20500	2785	1370	7.75	1394	8.17	1418	8.59	1440	9.02	1463	9.46	1484	9.90	1505	10.34	1526	10.79	1546	11.24	1567	11.70
21000	2853	1403	8.30	1426	8.74	1449	9.17	1471	9.61	1493	10.06	1514	10.50	1535	10.96	1555	11.41	1575	11.88	1595	12.35
21500	2921	1435	8.89	1458	9.33	1480	9.78	1502	10.23	1523	10.68	1544	11.14	1565	11.61	1585	12.07	1605	12.54	1624	13.01
22000	2989	1467	9.50	1490	9.96	1512	10.41	1533	10.88	1554	11.33	1574	11.80	1594	12.27	1614	12.75	1634	13.23	1653	13.71
22500	3057	1499	10.14	1521	10.61	1543	11.08	1564	11.54	1584	12.02	1605	12.50	1624	12.97	1644	13.46	1663	13.95	1682	14.44
23000	3125	1532	10.81	1553	11.29	1575	11.77	1595	12.24	1615	12.73	1635	13.21	1654	13.70	1674	14.20	1692	14.69	1711	15.20
23500	3193	1564	11.51	1585	12.00	1606	12.49	1626	12.97	1646	13.47	1665	13.96	1685	14.46	1703	14.96	1722	15.47	1740	15.98
24000	3261	1596	12.24	1617	12.74	1638	13.24	1657	13.73	1677	14.24	1696	14.74	1715	15.25	1733	15.76	1752	16.28	1769	16.80
24500	3329	1629	13.00	1649	13.51	1669	14.02	1689	14.52	1708	15.04	1727	15.55	1745	16.07	1763	16.59	1781	17.12		
25000	3397	1661	13.79	1681	14.31	1701	14.83	1720	15.34	1739	15.87	1757	16.39	1775	16.92						
25500	3465	1694	14.61	1713	15.14	1733	15.67	1751	16.20	1770	16.73										
26000	3533	1726	15.47	1746	16.01	1764	16.55	1783	17.09												
Volume O.Vel		1-3/8"SP		1-1/2"SP		1-3/4"SP		2"SP		2-1/4"SP		2-1/2"SP		2-3/4"SP		3"SP		3-1/4"SP		3-1/2"SP	
CFM	FPM	RPM	BHP	RPM	BHP	RPM	BHP	RPM	BHP	RPM	BHP	RPM	BHP	RPM	BHP	RPM	BHP	RPM	BHP	RPM	BHP
10000	1359	1080	3.89	1114	4.25	1177	4.97														
10500	1427	1094	4.08	1129	4.46	1194	5.22	1251	5.96												
11000	1495	1110	4.28	1144	4.66	1210	5.46	1269	6.24	1321	7.02										
11500	1562	1128	4.50	1159	4.88	1224	5.69	1285	6.52	1341	7.35	1389	8.15								
12000	1630	1148	4.74	1177	5.12	1239	5.93	1300	6.79	1357	7.67	1408	8.52	1454	9.36						
12500	1698	1169	5.01	1197	5.39	1255	6.19	1315	7.06	1372	7.97	1425	8.87	1473	9.75	1518	10.63				
13000	1766	1191	5.29	1219	5.68	1273	6.47	1330	7.35	1386	8.27	1441	9.21	1491	10.14	1536	11.06	1579	11.98		
13500	1834	1215	5.60	1241	5.98	1293	6.78	1346	7.65	1401	8.57	1455	9.54	1507	10.52	1554	11.49	1598	12.44	1639	13.39
14000	1902	1239	5.93	1264	6.31	1314	7.12	1365	7.98	1417	8.90	1470	9.88	1522	10.90	1571	11.91	1616	12.90	1657	13.89
14500	1970	1264	6.27	1288	6.66	1336	7.47	1385	8.34	1434	9.26	1485	10.24	1536	11.27	1586	12.32	1633	13.37	1676	14.39
15000	2038	1289	6.64	1313	7.03	1359	7.86	1406	8.72	1453	9.64	1501	10.61	1551	11.64	1600	12.71	1648	13.80	1693	14.90
15500	2106	1315	7.03	1338	7.43	1383	8.26	1428	9.13	1473	10.05	1519	11.02	1567	12.04	1615	13.12	1662	14.23	1708	15.35
16000	2174	1341	7.44	1363	7.84	1408	8.68	1451	9.57	1495	10.49	1539	11.46	1584	12.48	1630	13.55	1676	14.68	1722	15.82
16500	2242	1367	7.87	1389	8.29	1433	9.13	1475	10.02	1517	10.95	1560	11.92	1603	12.94	1647	14.01	1692	15.14	1737	16.30
17000	2310	1394	8.33	1415	8.74	1458	9.61	1499	10.51	1541	11.44	1582	12.41	1623	13.43	1665	14.49	1708	15.61	1751	16.78
17500	2378	1420	8.80	1442	9.23	1483	10.10	1524	11.01	1564	11.95	1604	12.93	1644	13.96	1685	15.03	1725	16.13	1767	17.29
18000	2446	1447	9.30	1469	9.74	1510	10.63														

Wheel Diameter = 33.00 in.
 Outlet Area = 8.89 sq. ft. (with cone)
 Outlet Area = 5.94 sq. ft. (without cone)
 Tip Speed, fpm = 8.64 x RPM

Size

3300

Maximum RPM 1621

Design 7410 Vaneaxial Fans

Volume O.Vel		1/8"SP		1/4"SP		3/8"SP		1/2"SP		5/8"SP		3/4"SP		7/8"SP		1"SP		1-1/8"SP		1-1/4"SP		
CFM	FPM	RPM	BHP	RPM	BHP	RPM	BHP	RPM	BHP	RPM	BHP	RPM	BHP	RPM	BHP	RPM	BHP	RPM	BHP	RPM	BHP	
7000	786	415	0.35	473	0.53	529	0.74	586	0.99	633	1.24											
7500	842	436	0.41	491	0.59	543	0.81	597	1.06	647	1.33	689	1.60									
8000	898	457	0.47	510	0.66	559	0.88	608	1.13	659	1.42	704	1.71									
8500	954	479	0.54	530	0.74	576	0.96	622	1.21	670	1.50	716	1.81	756	2.11							
9000	1011	501	0.61	550	0.82	594	1.05	637	1.31	681	1.59	727	1.91	769	2.24	805	2.55					
9500	1067	523	0.70	570	0.91	613	1.15	654	1.41	695	1.69	738	2.01	780	2.36	819	2.70	852	3.03			
10000	1123	545	0.79	591	1.01	633	1.26	672	1.52	711	1.81	750	2.13	791	2.47	830	2.84	866	3.20	898	3.55	
10500	1179	568	0.89	612	1.13	652	1.38	690	1.64	727	1.94	764	2.25	803	2.60	841	2.97	878	3.35	912	3.73	
11000	1235	591	1.00	633	1.24	673	1.50	709	1.78	745	2.07	780	2.39	816	2.74	853	3.11	889	3.50	924	3.90	
11500	1291	613	1.12	655	1.37	693	1.64	729	1.92	763	2.22	796	2.54	830	2.89	865	3.26	900	3.66	935	4.07	
12000	1347	636	1.25	676	1.51	713	1.79	748	2.08	782	2.38	814	2.71	846	3.06	879	3.42	912	3.82	946	4.24	
12500	1404	659	1.39	698	1.66	734	1.95	768	2.24	801	2.56	832	2.89	863	3.23	894	3.60	925	4.00	958	4.42	
13000	1460	683	1.55	720	1.82	755	2.12	789	2.42	820	2.74	851	3.08	880	3.43	910	3.80	940	4.19	971	4.61	
13500	1516	706	1.71	742	2.00	777	2.30	809	2.61	840	2.94	870	3.28	899	3.64	927	4.01	956	4.41	985	4.82	
14000	1572	729	1.88	765	2.18	798	2.49	830	2.81	860	3.15	889	3.49	917	3.86	945	4.23	972	4.63	1000	5.05	
14500	1628	753	2.07	787	2.38	820	2.69	851	3.03	880	3.37	909	3.72	936	4.09	963	4.48	990	4.88	1016	5.29	
15000	1684	776	2.27	810	2.59	842	2.91	872	3.25	901	3.60	929	3.96	955	4.34	982	4.73	1007	5.13	1033	5.55	
15500	1740	800	2.48	833	2.81	864	3.15	893	3.49	921	3.85	949	4.22	975	4.60	1001	5.00	1026	5.41	1051	5.83	
16000	1797	823	2.71	855	3.05	886	3.39	915	3.75	942	4.11	969	4.49	995	4.88	1020	5.28	1045	5.69	1069	6.12	
16500	1853	847	2.95	878	3.29	908	3.65	936	4.01	963	4.39	990	4.77	1015	5.17	1040	5.58	1064	6.00	1087	6.43	
17000	1909	871	3.20	901	3.56	930	3.92	958	4.30	984	4.68	1010	5.07	1035	5.47	1059	5.89	1083	6.32	1106	6.76	
17500	1965	894	3.47	924	3.84	952	4.21	980	4.60	1006	4.99	1031	5.39	1055	5.80	1079	6.22	1103	6.66	1125	7.10	
18000	2021	918	3.76	947	4.13	975	4.52	1002	4.91	1027	5.31	1052	5.72	1076	6.14	1099	6.56	1122	7.00	1144	7.46	
18500	2077	942	4.06	971	4.45	998	4.84	1024	5.24	1049	5.64	1073	6.06	1097	6.49	1120	6.93	1142	7.38	1164	7.83	
19000	2134	966	4.37	994	4.77	1020	5.17	1046	5.58	1070	6.00	1094	6.42	1118	6.86	1140	7.31	1162	7.76	1184	8.22	
19500	2190	990	4.71	1017	5.11	1043	5.53	1068	5.95	1092	6.37	1116	6.81	1139	7.25	1161	7.70	1182	8.16	1204	8.64	
20000	2246	1014	5.06	1040	5.47	1066	5.89	1090	6.32	1114	6.76	1137	7.20	1160	7.65	1182	8.11	1203	8.59	1224	9.06	
20500	2302	1038	5.42	1064	5.85	1089	6.28	1113	6.72	1136	7.16	1159	7.61	1181	8.08	1203	8.55	1224	9.02	1244	9.51	
21000	2358	1062	5.81	1087	6.24	1112	6.68	1135	7.13	1158	7.59	1181	8.05	1202	8.52	1223	8.99	1244	9.48	1265	9.98	
21500	2414	1086	6.21	1111	6.66	1135	7.11	1158	7.57	1181	8.03	1203	8.50	1224	8.98	1245	9.46	1265	9.96	1285	10.46	
22000	2470	1110	6.63	1135	7.09	1158	7.55	1181	8.02	1203	8.49	1224	8.97	1245	9.45	1266	9.95	1286	10.45	1306	10.96	
23000	2583	1159	7.54	1182	8.02	1205	8.50	1226	8.98	1248	9.47	1269	9.97	1289	10.47	1309	10.98	1328	11.50	1348	12.03	
24000	2695	1207	8.52	1229	9.02	1251	9.52	1272	10.02	1293	10.53	1313	11.05	1333	11.57	1352	12.10	1371	12.63	1390	13.17	
25000	2807	1255	9.59	1277	10.10	1298	10.62	1318	11.15	1339	11.68	1358	12.21	1377	12.75	1396	13.30	1414	13.85	1433	14.41	
26000	2920	1304	10.74	1325	11.27	1345	11.81	1365	12.36	1384	12.91	1403	13.46	1422	14.02	1440	14.58	1458	15.16	1475	15.73	
27000	3032	1352	11.98	1372	12.54	1392	13.10	1411	13.66	1430	14.23	1449	14.81	1467	15.38	1484	15.96	1502	16.55	1519	17.14	
28000	3144	1401	13.32	1420	13.90	1440	14.48	1458	15.06	1476	15.65	1494	16.24	1512	16.83	1529	17.44	1546	18.04	1563	18.65	
29000	3256	1449	14.75	1468	15.35	1487	15.96	1505	16.55	1523	17.17	1540	17.77	1557	18.39	1574	19.00	1591	19.64	1607	20.26	
30000	3369	1498	16.29	1516	16.91	1534	17.53	1552	18.15	1569	18.78	1586	19.41	1603	20.04	1619	20.68					
31000	3481	1547	17.93	1565	18.57	1582	19.21	1599	19.86	1616	20.50											
32000	3593	1595	19.67	1613	20.34																	
Volume	O.Vel	1-3/8"SP		1-1/2"SP		1-3/4"SP		2"SP		2-1/4"SP		2-1/2"SP		2-3/4"SP		3"SP		3-1/4"SP		3-1/2"SP		
CFM	FPM	RPM	BHP	RPM	BHP	RPM	BHP	RPM	BHP	RPM	BHP	RPM	BHP	RPM	BHP	RPM	BHP	RPM	BHP	RPM	BHP	
12000	1347	979	4.67	1011	5.11	1067	5.96															
12500	1404	990	4.86	1022	5.31	1080	6.21	1131	7.09													
13000	1460	1002	5.05	1033	5.52	1093	6.45	1146	7.39	1192	8.29											
13500	1516	1014	5.26	1044	5.72	1104	6.69	1158	7.66	1206	8.61											
14000	1572	1028	5.48	1056	5.94	1115	6.93	1170	7.94	1221	8.94	1265	9.92									
14500	1628	1043	5.73	1070	6.19	1126	7.17	1181	8.21	1234	9.27	1280	10.30	1322	11.31							
15000	1684	1059	5.99	1085	6.45	1138	7.42	1192	8.48	1244	9.56	1292	10.64	1336	11.70	1375	12.74					
15500	1740	1075	6.27	1100	6.73	1151	7.70	1203	8.75	1255	9.86	1305	10.99	1350	12.10	1390	13.18	1427	14.25			
16000	1797	1093	6.57	1117	7.03	1165	8.00	1215	9.05	1266	10.17	1316	11.33	1363	12.49	1405	13.64	1443	14.73			
16500	1853	1110	6.88	1134	7.35	1180	8.32	1228	9.36	1277	10.48	1327	11.66	1374	12.85	1417	14.04	1458	15.22	1494	16.36	
17000	1909	1129	7.21	1151	7.68	1197	8.66	1242	9.70	1289	10.81	1338	12.00	1385	13.23	1429	14.46	1470	15.67	1509	16.87	
17500	1965	1147	7.56	1169	8.03	1213	9.01	1257	10.05	1303	11.17	1349	12.36	1396	13.60	1441	14.87	1484	16.14	1522	17.37	
18000	2021	1166	7.93	1188	8.40	1231	9.39	1273	10.44	1317	11.54	1361	12.72	1406	13.97	1451	15.26	1494	16.56	1535	17.87	
18500	2077	1185	8.30	1206	8.79	1248	9.78	1290	10.83	1332	11.95	1374	13.12	1418	14.37	1462	15.67	1506	17.00	1547	18.33	
19000	2134	1205	8.71	1226	9.19	1267	10.20	1307	11.26	1347	12.37	1388	13.54	1430	14.78	1473	16.08	1516	17.44	1558	18.83	
19500	2190	1224	9.12	1245	9.61	1285	10.63	1324	11.70	1364	12.81	1403	13.99	1444	15.22	1485	16.52	1527	17.88	1568	19.27	
20000	2246	1244	9.55	1264	10.06	1304	11.09	1342	12.16	1381	13.28	1419	14.45	1458	15.69	1498	16.99	1539	18.35	1580	19.76	
20500	2302	1264	10.01	1284	10.51	1323	11.56	1361	12.64	1398	13.77	1436	14.95	1473	16.18	1511	17.47	1551	18.82	1590	20.24	
21000	2358	1284	10.48																			

Wheel Diameter = 36.50 in.

Outlet Area = 10.9 sq. ft. (with cone)

Outlet Area = 7.27 sq. ft. (without cone)

Tip Speed, fpm = 9.56 x RPM

Size

3650

Maximum RPM 1465

Design 7410 Vaneaxial Fans

Volume O.Vel		1/8"SP		1/4"SP		3/8"SP		1/2"SP		5/8"SP		3/4"SP		7/8"SP		1"SP		1-1/8"SP		1-1/4"SP		
CFM	FPM	RPM	BHP	RPM	BHP	RPM	BHP	RPM	BHP	RPM	BHP	RPM	BHP	RPM	BHP	RPM	BHP	RPM	BHP	RPM	BHP	
8000	734	358	0.37	413	0.59	468	0.85	520	1.14													
8500	780	373	0.42	426	0.64	477	0.90	529	1.21	571	1.51											
9000	826	389	0.48	439	0.70	487	0.96	537	1.27	582	1.60											
9500	872	404	0.54	453	0.77	498	1.03	545	1.34	591	1.69	630	2.02									
10000	918	420	0.60	468	0.84	511	1.11	554	1.42	599	1.77	640	2.13	675	2.49							
10500	964	436	0.67	482	0.92	524	1.19	565	1.50	607	1.85	649	2.23	685	2.61	716	2.97					
11000	1010	453	0.75	497	1.00	537	1.28	576	1.60	616	1.95	657	2.33	695	2.74	728	3.12					
11500	1056	469	0.83	512	1.09	551	1.38	588	1.70	626	2.05	665	2.44	703	2.85	738	3.27	768	3.67			
12000	1101	485	0.92	527	1.19	565	1.49	601	1.81	637	2.16	674	2.55	711	2.97	747	3.41	779	3.84	807	4.26	
12500	1147	502	1.02	543	1.30	580	1.60	615	1.93	649	2.28	684	2.67	720	3.09	755	3.54	788	4.00		4.44	
13000	1193	519	1.12	558	1.41	594	1.72	628	2.05	661	2.41	694	2.80	728	3.22	763	3.68	797	4.15	828	4.61	
13500	1239	535	1.24	574	1.53	609	1.85	643	2.19	674	2.55	706	2.94	738	3.36	772	3.82	805	4.30	836	4.79	
14000	1285	552	1.36	590	1.66	624	1.99	657	2.33	688	2.70	718	3.09	749	3.51	781	3.96	813	4.45	845	4.96	
14500	1331	569	1.48	606	1.80	640	2.13	671	2.48	702	2.86	731	3.25	761	3.67	791	4.13	821	4.61	853	5.13	
15000	1377	586	1.62	622	1.95	655	2.29	686	2.65	716	3.02	744	3.42	773	3.85	801	4.30	831	4.79	861	5.30	
15500	1423	603	1.77	638	2.10	670	2.45	701	2.82	730	3.20	758	3.61	786	4.04	813	4.49	841	4.97	870	5.48	
16000	1469	620	1.92	654	2.26	686	2.62	716	3.00	744	3.39	772	3.80	799	4.23	825	4.69	852	5.17	879	5.68	
16500	1514	638	2.08	671	2.44	702	2.80	731	3.19	759	3.59	786	4.00	812	4.44	838	4.90	864	5.38	890	5.89	
17000	1560	655	2.26	687	2.62	718	3.00	746	3.39	774	3.79	800	4.22	826	4.66	851	5.12	876	5.61	901	6.12	
17500	1606	672	2.44	704	2.81	734	3.20	762	3.60	789	4.01	815	4.44	840	4.89	864	5.36	889	5.85	913	6.36	
18000	1652	689	2.63	720	3.02	750	3.41	777	3.82	804	4.24	829	4.68	854	5.13	878	5.60	902	6.10	925	6.61	
19000	1744	724	3.05	754	3.46	782	3.87	809	4.29	834	4.73	859	5.18	883	5.65	906	6.13	928	6.63	951	7.15	
20000	1836	759	3.52	788	3.94	815	4.37	840	4.81	865	5.26	889	5.73	912	6.22	935	6.71	956	7.23	978	7.75	
21000	1928	794	4.03	822	4.47	848	4.92	872	5.38	896	5.85	919	6.33	942	6.83	964	7.34	985	7.86	1006	8.41	
22000	2019	829	4.58	856	5.04	881	5.51	905	5.99	928	6.48	950	6.98	972	7.49	993	8.02	1014	8.55	1034	9.11	
23000	2111	865	5.19	890	5.67	914	6.16	937	6.66	960	7.16	982	7.68	1003	8.21	1024	8.75	1044	9.30	1063	9.87	
24000	2203	900	5.86	925	6.36	948	6.86	971	7.38	992	7.90	1013	8.44	1034	8.98	1054	9.54	1073	10.10	1093	10.69	
25000	2295	936	6.57	959	7.09	982	7.62	1004	8.15	1025	8.70	1045	9.25	1065	9.81	1085	10.39	1104	10.97	1122	11.56	
26000	2386	971	7.35	994	7.89	1016	8.44	1037	8.99	1057	9.55	1078	10.12	1097	10.70	1116	11.29	1134	11.89	1153	12.50	
27000	2478	1007	8.19	1029	8.75	1050	9.32	1071	9.89	1090	10.47	1110	11.05	1129	11.65	1147	12.26	1165	12.87	1183	13.49	
28000	2570	1043	9.09	1064	9.67	1084	10.26	1104	10.85	1124	11.44	1142	12.05	1161	12.67	1179	13.29	1197	13.92	1214	14.57	
29000	2662	1078	10.06	1099	10.66	1119	11.26	1138	11.87	1157	12.49	1175	13.12	1193	13.74	1211	14.38	1228	15.04	1245	15.69	
30000	2754	1114	11.09	1134	11.71	1153	12.33	1172	12.96	1191	13.60	1208	14.24	1226	14.89	1243	15.56	1260	16.21	1277	16.89	
31000	2845	1150	12.19	1169	12.83	1188	13.48	1206	14.13	1224	14.79	1242	15.44	1259	16.11	1276	16.79	1292	17.47	1308	18.17	
32000	2937	1186	13.37	1204	14.03	1223	14.69	1241	15.37	1258	16.04	1275	16.72	1292	17.41	1308	18.09	1324	18.81	1340	19.50	
33000	3029	1221	14.62	1240	15.30	1258	15.99	1275	16.67	1292	17.36	1309	18.07	1325	18.77	1341	19.48	1357	20.20	1372	20.93	
34000	3121	1257	15.94	1275	16.64	1293	17.36	1309	18.06	1326	18.77	1342	19.49	1358	20.21	1374	20.95	1389	21.68	1405	22.43	
35000	3213	1293	17.35	1311	18.07	1328	18.80	1344	19.52	1360	20.26	1376	20.99	1392	21.74	1407	22.48	1422	23.24	1437	24.00	
36000	3304	1329	18.83	1346	19.58	1363	20.33	1379	21.07	1395	21.83	1410	22.58	1426	23.35	1440	24.11	1455	24.89			
37000	3396	1365	20.40	1382	21.17	1398	21.94	1413	22.70	1429	23.48	1444	24.25	1459	25.03							
38000	3488	1401	22.06	1417	22.85	1433	23.63	1448	24.42	1463	25.21											
39000	3580	1437	23.80	1453	24.62																	
Volume O.Vel	1-3/8"SP		1-1/2"SP		1-3/4"SP		2"SP		2-1/4"SP		2-1/2"SP		2-3/4"SP		3"SP		3-1/4"SP		3-1/2"SP			
CFM	FPM	RPM	BHP	RPM	BHP	RPM	BHP	RPM	BHP	RPM	BHP	RPM	BHP	RPM	BHP	RPM	BHP	RPM	BHP	RPM	BHP	
14000	1285	874	5.47	902	5.97	950	6.94															
14500	1331	883	5.65	911	6.18	961	7.20															
15000	1377	890	5.83	919	6.38	972	7.46	1016	8.50													
15500	1423	899	6.02	927	6.58	981	7.70	1027	8.79													
16000	1469	907	6.22	936	6.79	989	7.94	1038	9.10	1080	10.21											
16500	1514	916	6.43	944	6.99	998	8.18	1047	9.37	1090	10.53											
17000	1560	926	6.65	953	7.21	1006	8.41	1056	9.64	1101	10.87	1141	12.05									
17500	1606	937	6.89	962	7.45	1014	8.65	1064	9.92	1110	11.17	1152	12.41	1189	13.62							
18000	1652	949	7.14	973	7.70	1022	8.90	1072	10.18	1119	11.49	1162	12.78	1200	14.03							
18500	1698	961	7.42	984	7.97	1031	9.16	1080	10.46	1128	11.79	1171	13.12	1211	14.44	1247	15.74					
19000	1744	973	7.69	996	8.25	1041	9.44	1089	10.73	1136	12.09	1180	13.47	1221	14.83	1257	16.15	1291	17.47			
20000	1836	999	8.30	1020	8.86	1063	10.05	1107	11.34	1152	12.70	1196	14.14	1239	15.59	1278	17.02	1314	18.43	1347	19.85	
21000	1928	1026	8.96	1046	9.53	1087	10.73	1128	12.01	1170	13.37	1213	14.82	1255	16.32	1296	17.84	1333	19.35	1369	20.86	
22000	2019	1054	9.68	1073	10.26	1112	11.48	1151	12.75	1190	14.10	1230	15.55	1271	17.07	1312	18.65	1351	20.24	1388	21.84	
23000	2111	1082	10.45	1101	11.05	1138	12.27	1175	13.56	1212	14.92	1250	16.35	1289	17.87	1328	19.47	1367	21.11	1404	22.78	
24000	2203	1111	11.28	1130	11.89	1166	13.13	1201	14.44	1237	15.81	1272	17.24	1308	18.75	1345	20.34	1383	22.00	1420	23.72	
25000	2295	1141	12.18	1158	12.79	1194	14.07	1228	15.39	1262	16.77	1296	18.21	1330	19.72	1365	21.29	1400	22.95	1437	24.68	
26000	2386	1170	13.12	1188	13.76	1222	15.05	1255	16.40	1288	17.79	1321	19.25	1354	20.77	1387	22.34	1420	23.98	1454	25.70	
27000	2478	1201	14.14	12																		

Wheel Diameter = 40.25 in.
 Outlet Area = 13.2 sq. ft. (with cone)
 Outlet Area = 8.84 sq. ft. (without cone)
 Tip Speed, fpm = 10.5 x RPM

Size

4025

Maximum RPM 1329

Design 7410 Vaneaxial Fans

Volume O.Vel		1/8"SP		1/4"SP		3/8"SP		1/2"SP		5/8"SP		3/4"SP		7/8"SP		1"SP		1-1/8"SP		1-1/4"SP	
CFM	FPM	RPM	BHP	RPM	BHP	RPM	BHP	RPM	BHP	RPM	BHP	RPM	BHP	RPM	BHP	RPM	BHP	RPM	BHP	RPM	BHP
10000	755	331	0.48	379	0.74	428	1.06	475	1.42												
10500	793	342	0.53	389	0.80	435	1.12	481	1.49	521	1.86										
11000	830	354	0.59	399	0.86	442	1.18	487	1.56	528	1.95										
11500	868	365	0.65	410	0.93	451	1.25	493	1.63	535	2.04	570	2.45								
12000	906	377	0.71	420	1.00	460	1.32	500	1.70	541	2.13	578	2.56	609	2.98						
13000	981	401	0.85	442	1.16	479	1.49	516	1.87	554	2.30	591	2.77	625	3.23	654	3.69				
14000	1057	426	1.01	465	1.33	500	1.68	534	2.07	568	2.49	603	2.97	638	3.47	669	3.98	697	4.47		
15000	1132	450	1.20	487	1.54	521	1.90	553	2.29	585	2.72	617	3.19	650	3.71	683	4.25	712	4.79	738	5.32
16000	1208	475	1.41	511	1.76	543	2.14	574	2.55	604	2.98	633	3.45	663	3.97	694	4.52	725	5.11	753	5.68
17000	1283	500	1.64	534	2.02	566	2.41	595	2.83	623	3.28	651	3.75	679	4.26	707	4.81	737	5.40	766	6.02
18000	1359	525	1.90	558	2.29	588	2.70	617	3.14	644	3.60	670	4.08	696	4.60	723	5.15	750	5.73	778	6.36
19000	1434	551	2.19	582	2.60	611	3.03	639	3.48	665	3.95	690	4.44	715	4.97	740	5.52	765	6.10	791	6.72
20000	1510	577	2.51	607	2.94	635	3.39	662	3.85	687	4.33	711	4.84	735	5.37	759	5.93	782	6.52	806	7.13
21000	1585	602	2.86	631	3.31	659	3.77	684	4.25	709	4.75	733	5.28	756	5.82	778	6.38	800	6.97	823	7.59
22000	1661	628	3.25	656	3.71	682	4.19	707	4.69	731	5.21	754	5.74	777	6.29	798	6.87	820	7.47	841	8.09
23000	1736	654	3.67	681	4.15	707	4.65	731	5.16	754	5.69	776	6.24	798	6.81	819	7.40	840	8.01	860	8.64
24000	1812	680	4.12	706	4.63	731	5.14	754	5.68	777	6.22	799	6.79	820	7.37	840	7.97	861	8.59	880	9.23
25000	1887	706	4.62	731	5.14	755	5.68	778	6.22	800	6.79	821	7.37	842	7.96	862	8.58	882	9.21	901	9.86
26000	1962	732	5.15	757	5.69	780	6.25	802	6.82	824	7.40	844	7.99	865	8.60	884	9.23	903	9.88	922	10.54
27000	2038	759	5.72	782	6.29	805	6.86	826	7.44	847	8.04	868	8.65	887	9.28	906	9.92	925	10.58	943	11.26
28000	2113	785	6.33	808	6.92	830	7.51	851	8.12	871	8.73	891	9.36	910	10.01	929	10.67	947	11.34	965	12.02
29000	2189	811	6.99	834	7.60	855	8.21	876	8.84	895	9.47	915	10.12	933	10.77	951	11.45	969	12.13	987	12.84
30000	2264	838	7.70	859	8.32	880	8.96	900	9.60	919	10.25	938	10.91	956	11.59	974	12.28	992	12.99	1009	13.70
31000	2340	864	8.45	885	9.10	905	9.75	925	10.41	944	11.08	962	11.76	980	12.46	998	13.16	1015	13.88	1031	14.61
32000	2415	891	9.25	911	9.92	931	10.59	950	11.27	968	11.96	986	12.66	1004	13.37	1021	14.09	1038	14.83	1054	15.57
33000	2491	917	10.11	937	10.79	956	11.48	975	12.18	993	12.89	1010	13.60	1028	14.33	1044	15.07	1061	15.82	1077	16.58
34000	2566	944	11.01	963	11.72	982	12.43	1000	13.14	1018	13.87	1035	14.60	1052	15.35	1068	16.11	1084	16.87	1100	17.66
35000	2642	971	11.97	990	12.70	1008	13.42	1025	14.16	1042	14.90	1059	15.66	1076	16.42	1092	17.19	1108	17.98	1123	18.77
36000	2717	997	12.98	1016	13.73	1033	14.47	1051	15.23	1068	16.00	1084	16.77	1100	17.55	1116	18.34	1131	19.14	1146	19.95
37000	2793	1024	14.05	1042	14.81	1059	15.58	1076	16.36	1093	17.15	1109	17.93	1124	18.73	1140	19.55	1155	20.36	1170	21.20
38000	2868	1051	15.18	1068	15.96	1085	16.75	1102	17.55	1118	18.35	1133	19.15	1149	19.98	1164	20.80	1179	21.64	1194	22.48
39000	2944	1077	16.36	1094	17.17	1111	17.98	1127	18.80	1143	19.61	1158	20.44	1174	21.28	1188	22.12	1203	22.99	1217	23.84
40000	3019	1104	17.61	1121	18.43	1137	19.27	1153	20.10	1168	20.94	1184	21.79	1198	22.64	1213	23.51	1227	24.38	1241	25.26
41000	3095	1131	18.92	1147	19.76	1163	20.62	1179	21.47	1194	22.33	1209	23.21	1223	24.07	1238	24.96	1251	25.84	1266	26.75
42000	3170	1158	20.29	1174	21.16	1189	22.04	1204	22.91	1219	23.79	1234	24.67	1248	25.56	1262	26.47	1276	27.37	1290	28.29
43000	3246	1184	21.73	1200	22.62	1215	23.52	1230	24.41	1245	25.32	1259	26.21	1273	27.13	1287	28.04	1300	28.98	1314	29.90
44000	3321	1211	23.24	1227	24.15	1242	25.07	1256	25.98	1270	26.91	1284	27.82	1298	28.76	1312	29.69	1325	30.64		
45000	3397	1238	24.82	1253	25.76	1268	26.69	1282	27.62	1296	28.56	1310	29.50	1323	30.45						
46000	3472	1265	26.47	1280	27.43	1294	28.38	1308	29.33	1322	30.29										
47000	3548	1292	28.19	1306	29.17	1320	30.14														
48000	3623	1319	29.99																		
Volume O.Vel	1-3/8"SP		1-1/2"SP		1-3/4"SP		2"SP		2-1/4"SP		2-1/2"SP		2-3/4"SP		3"SP		3-1/4"SP		3-1/2"SP		
CFM	FPM	RPM	BHP	RPM	BHP	RPM	BHP	RPM	BHP	RPM	BHP	RPM	BHP	RPM	BHP	RPM	BHP	RPM	BHP	RPM	BHP
17000	1283	793	6.64	818	7.24	861	8.43														
18000	1359	805	7.00	831	7.66	878	8.95														
19000	1434	817	7.38	843	8.06	892	9.45	934	10.78												
20000	1510	830	7.79	855	8.48	905	9.92	949	11.35	988	12.76										
21000	1585	846	8.24	869	8.93	916	10.39	962	11.90	1003	13.41	1040	14.88								
22000	1661	863	8.74	884	9.42	929	10.88	974	12.44	1017	14.03	1056	15.61	1090	17.15						
23000	1736	881	9.29	901	9.97	943	11.42	986	12.99	1029	14.64	1070	16.31	1106	17.96	1139	19.55	1170	21.13		
24000	1812	900	9.89	919	10.57	959	12.03	999	13.58	1041	15.25	1082	16.99	1120	18.74	1155	20.44	1186	22.10	1216	23.76
25000	1887	920	10.53	939	11.22	976	12.67	1014	14.22	1054	15.89	1094	17.67	1133	19.47	1169	21.30	1202	23.06	1233	24.79
26000	1962	940	11.21	958	11.92	994	13.38	1031	14.93	1068	16.59	1106	18.36	1144	20.20	1181	22.09	1217	23.99	1248	25.82
27000	2038	961	11.95	979	12.66	1014	14.14	1048	15.70	1083	17.35	1119	19.10	1156	20.95	1193	22.88	1229	24.84	1263	26.82
28000	2113	982	12.73	1000	13.46	1033	14.94	1067	16.51	1100	18.16	1134	19.91	1169	21.76	1205	23.70	1240	25.70	1275	27.74
29000	2189	1004	13.56	1021	14.29	1053	15.80	1086	17.39	1118	19.05	1151	20.80	1184	22.63	1218	24.57	1252	26.59	1286	28.66
30000	2264	1026	14.43	1042	15.18	1074	16.72	1106	18.32	1137	19.99	1168	21.74	1200	23.58	1232	25.51	1265	27.53	1298	29.62
31000	2340	1048	15.36	1064	16.11	1095	17.67	1126	19.30	1156	20.99	1187	22.74	1217	24.58	1248	26.50	1279	28.52	1311	30.63
32000	2415	1070	16.33	1086	17.11	1117	18.70	1147	20.34	1176	22.05	1206	23.83	1235	25.67	1264	27.58	1294	29.57	1325	31.67
33000	2491	1093	17.37	1108	18.14	1138	19.76	1168	21.43	1197	23.16	1225	24.94	1253	26.80	1282	28.73	1311	30.73		
34000	2566	1115	18.44	1131	19.25	1160	20.89	1189	22.59	1217	24.34	1245	26.15	1273	28.01	1300	29.93	1328	31.94		
35000	2642	1138	19.58	1153	20.40	1182	22.07	1211	23.79	1238	25.56	1265	27.39	1292	29.28	1319	31.2				

Wheel Diameter = 44.50 in.

Outlet Area = 16.1 sq. ft. (with cone)

Outlet Area = 10.8 sq. ft. (without cone)

Tip Speed, fpm = 11.7 x RPM

Size

4450

Maximum RPM 1202

Design 7410 Vaneaxial Fans

Volume O.Vel		1/8"SP		1/4"SP		3/8"SP		1/2"SP		5/8"SP		3/4"SP		7/8"SP		1"SP		1-1/8"SP		1-1/4"SP	
CFM	FPM	RPM	BHP	RPM	BHP	RPM	BHP	RPM	BHP	RPM	BHP	RPM	BHP	RPM	BHP	RPM	BHP	RPM	BHP	RPM	BHP
11000	679	279	0.48	327	0.79	376	1.17														
12000	741	296	0.57	340	0.88	385	1.27	427	1.71												
13000	803	312	0.67	355	1.00	395	1.39	437	1.84	473	2.31										
14000	865	330	0.78	370	1.12	407	1.52	446	1.98	484	2.49	515	2.98								
15000	926	347	0.91	386	1.27	421	1.67	456	2.13	493	2.65	526	3.20	555	3.73						
16000	988	365	1.06	402	1.43	435	1.84	468	2.30	502	2.83	536	3.40	566	3.98	593	4.54				
17000	1050	383	1.22	418	1.61	451	2.04	481	2.50	512	3.02	545	3.60	576	4.22	604	4.83	629	5.43		
18000	1112	401	1.40	435	1.81	466	2.25	496	2.72	525	3.25	555	3.82	585	4.46	614	5.11	641	5.75	664	6.38
19000	1173	419	1.60	452	2.02	482	2.48	510	2.97	538	3.50	566	4.07	594	4.70	623	5.38	651	6.06	675	6.75
20000	1235	438	1.82	470	2.26	499	2.73	526	3.23	552	3.77	578	4.35	605	4.97	632	5.65	660	6.37	685	7.09
21000	1297	456	2.06	487	2.52	515	3.01	542	3.52	567	4.07	592	4.65	617	5.28	642	5.95	668	6.67	694	7.43
22000	1359	475	2.33	505	2.80	532	3.30	558	3.83	582	4.40	606	4.99	630	5.62	654	6.29	678	7.01	703	7.77
23000	1420	494	2.61	523	3.11	549	3.63	574	4.17	598	4.74	621	5.35	644	5.99	666	6.66	689	7.37	713	8.13
24000	1482	513	2.93	541	3.44	566	3.97	591	4.54	614	5.12	636	5.74	658	6.38	680	7.06	702	7.77	724	8.53
25000	1544	532	3.26	559	3.80	584	4.35	608	4.92	630	5.53	652	6.15	673	6.81	694	7.49	715	8.21	736	8.97
26000	1606	551	3.62	577	4.18	601	4.75	625	5.34	647	5.95	668	6.60	689	7.27	709	7.96	729	8.68	749	9.44
27000	1667	570	4.01	595	4.59	619	5.18	642	5.78	663	6.42	684	7.07	704	7.75	724	8.45	743	9.19	762	9.95
28000	1729	589	4.43	614	5.02	637	5.63	659	6.26	680	6.90	700	7.57	720	8.27	739	8.99	758	9.73	777	10.50
29000	1791	609	4.88	633	5.49	655	6.12	677	6.76	697	7.43	717	8.11	736	8.81	755	9.54	773	10.30	791	11.08
30000	1853	628	5.36	651	5.99	673	6.63	694	7.29	714	7.98	734	8.68	753	9.40	771	10.14	789	10.90	806	11.69
31000	1914	647	5.87	670	6.52	691	7.19	712	7.86	731	8.56	750	9.27	769	10.01	787	10.77	804	11.54	822	12.35
32000	1976	667	6.41	689	7.08	710	7.76	730	8.46	749	9.18	768	9.91	786	10.66	803	11.44	820	12.22	837	13.03
33000	2038	686	6.99	708	7.68	728	8.38	747	9.10	766	9.83	785	10.58	802	11.34	820	12.13	836	12.93	853	13.76
34000	2100	706	7.60	727	8.31	746	9.03	766	9.76	784	10.51	802	11.28	819	12.06	836	12.86	853	13.69	869	14.52
35000	2161	725	8.25	746	8.98	765	9.72	784	10.47	802	11.24	819	12.02	837	12.82	853	13.64	869	14.47	885	15.32
36000	2223	745	8.93	765	9.68	784	10.44	802	11.21	820	12.00	837	12.80	854	13.61	870	14.44	886	15.29	902	16.16
37000	2285	764	9.65	784	10.42	802	11.20	820	11.99	838	12.79	854	13.61	871	14.44	887	15.30	903	16.16	918	17.04
38000	2347	784	10.42	803	11.20	821	12.00	839	12.81	856	13.63	872	14.47	888	15.32	904	16.18	919	17.06	935	17.96
39000	2408	804	11.22	822	12.03	840	12.84	857	13.67	874	14.51	890	15.37	906	16.23	921	17.11	937	18.01	951	18.91
40000	2470	823	12.06	841	12.89	859	13.73	876	14.58	892	15.44	908	16.30	923	17.18	939	18.09	954	19.00	968	19.92
41000	2532	843	12.95	861	13.80	878	14.66	894	15.52	910	16.39	926	17.28	941	18.19	956	19.11	971	20.03	985	20.97
42000	2594	863	13.87	880	14.75	897	15.62	913	16.50	929	17.40	944	18.31	959	19.24	974	20.16	988	21.10	1002	22.07
43000	2655	882	14.85	899	15.74	916	16.63	931	17.53	947	18.45	962	19.38	977	20.31	991	21.26	1006	22.23	1019	23.20
44000	2717	902	15.86	919	16.77	935	17.69	950	18.61	965	19.55	980	20.49	995	21.44	1009	22.41	1023	23.39	1037	24.38
46000	2841	941	18.04	957	18.98	973	19.94	988	20.91	1003	21.88	1017	22.86	1031	23.85	1045	24.85	1058	25.86	1072	26.90
48000	2964	981	20.40	996	21.39	1011	22.39	1026	23.40	1040	24.40	1054	25.42	1067	26.45	1081	27.49	1094	28.55	1107	29.60
50000	3088	1021	22.97	1035	24.00	1050	25.05	1064	26.08	1077	27.13	1091	28.20	1104	29.25	1117	30.34	1130	31.41	1143	32.52
52000	3211	1060	25.75	1074	26.82	1089	27.92	1102	28.98	1115	30.08	1128	31.17	1141	32.27	1154	33.38	1166	34.51	1178	35.63
54000	3335	1100	28.75	1114	29.87	1127	30.99	1140	32.10	1153	33.24	1166	34.36	1178	35.52	1190	36.65				
56000	3458	1140	31.97	1153	33.14	1166	34.30	1179	35.46	1191	36.62										
Volume O.Vel	1-3/8"SP		1-1/2"SP		1-3/4"SP		2"SP		2-1/4"SP		2-1/2"SP		2-3/4"SP		3"SP		3-1/4"SP		3-1/2"SP		
CFM	FPM	RPM	BHP	RPM	BHP	RPM	BHP	RPM	BHP	RPM	BHP	RPM	BHP	RPM	BHP	RPM	BHP	RPM	BHP	RPM	BHP
21000	1297	719	8.19	742	8.94	782	10.43														
22000	1359	728	8.56	752	9.36	794	10.94														
23000	1420	737	8.94	761	9.76	804	11.43	842	13.04												
24000	1482	746	9.33	769	10.17	814	11.90	854	13.63	889	15.32										
25000	1544	757	9.76	779	10.60	823	12.37	864	14.20	901	15.98	933	17.71								
26000	1606	769	10.24	789	11.07	832	12.85	873	14.74	911	16.60	945	18.43	975	20.23						
27000	1667	782	10.75	801	11.58	841	13.36	882	15.26	921	17.22	956	19.15	988	21.04						
28000	1729	795	11.29	814	12.13	852	13.90	891	15.81	930	17.83	966	19.87	1000	21.87	1029	23.80				
29000	1791	809	11.89	827	12.72	863	14.48	901	16.39	939	18.45	976	20.54	1010	22.63	1041	24.71	1069	26.71		
30000	1853	824	12.51	841	13.35	876	15.12	911	17.02	948	19.06	984	21.19	1019	23.37	1051	25.52	1081	27.67	1109	29.75
31000	1914	839	13.17	855	14.02	889	15.80	923	17.69	957	19.72	993	21.88	1028	24.11	1061	26.35	1092	28.57	1120	30.77
32000	1976	854	13.87	870	14.73	902	16.51	935	18.41	968	20.44	1003	22.60	1037	24.87	1071	27.19	1102	29.50	1131	31.76
33000	2038	869	14.61	885	15.47	917	17.28	948	19.19	980	21.20	1013	23.34	1046	25.61	1079	27.96	1111	30.36	1142	32.78
34000	2100	885	15.38	901	16.26	931	18.08	962	19.99	992	22.01	1024	24.15	1056	26.41	1088	28.78	1120	31.22	1151	33.68
35000	2161	901	16.20	916	17.08	946	18.93	976	20.87	1006	22.89	1035	25.02	1066	27.27	1097	29.66	1129	32.12	1160	34.63
36000	2223	917	17.04	932	17.95	961	19.81	990	21.75	1019	23.79	1048	25.93	1077	28.17	1107	30.53	1138	33.01	1169	35.58
37000	2285	933	17.94	948	18.85	977	20.75	1005	22.72	1033	24.77	1061	26.91	1089	29.15	1118	31.49	1148	33.95	1177	36.52
38000	2347	949	18.87	964	19.80	992	21.71	1020	23.70	1047	25.76	1075	27.91	1102	30.16	1130	32.51	1158	34.97	1187	37.54
39000	2408	966	19.84	980	20.80	1008	22.73	1035	24.74	1062	26.83	1089	29.00	1115	31.25	1142	33.58	1169	36.02	1197	38.58
40000	2470	983	20.87	997	21.82	1024	23.79	1051													

Wheel Diameter = 49.00 in.

Outlet Area = 19.7 sq. ft. (with cone)

Outlet Area = 13.1 sq. ft. (without cone)

Tip Speed, fpm = 12.8 x RPM

Size

4900

Maximum RPM 1091

Design 7410 Vaneaxial Fans

Volume O.Vel		1/8"SP		1/4"SP		3/8"SP		1/2"SP		5/8"SP		3/4"SP		7/8"SP		1"SP		1-1/8"SP		1-1/4"SP	
CFM	FPM	RPM	BHP	RPM	BHP	RPM	BHP	RPM	BHP	RPM	BHP	RPM	BHP	RPM	BHP	RPM	BHP	RPM	BHP	RPM	BHP
14000	713	262	0.64	303	1.02	346	1.49	383	1.99												
15000	764	274	0.73	314	1.12	353	1.59	391	2.13	422	2.66										
16000	815	287	0.84	325	1.24	361	1.71	398	2.27	432	2.84										
17000	866	300	0.95	336	1.37	370	1.84	405	2.40	439	3.02	468	3.62								
18000	917	313	1.08	348	1.51	380	1.99	413	2.55	446	3.19	476	3.84	502	4.47						
19000	968	326	1.22	360	1.67	391	2.16	421	2.72	453	3.36	484	4.04	511	4.73	534	5.38				
20000	1019	339	1.38	372	1.84	402	2.35	431	2.91	460	3.54	490	4.24	519	4.98	544	5.68				
21000	1070	353	1.55	385	2.03	414	2.55	441	3.12	469	3.75	497	4.45	526	5.21	552	5.96	575	6.70		
22000	1120	367	1.73	397	2.23	426	2.76	452	3.34	478	3.98	505	4.68	532	5.45	559	6.24	583	7.03	604	7.80
23000	1171	380	1.93	410	2.45	438	3.00	463	3.59	488	4.23	513	4.93	539	5.69	566	6.51	591	7.34	613	8.17
24000	1222	394	2.15	423	2.68	450	3.25	475	3.85	499	4.50	523	5.20	547	5.96	572	6.78	597	7.65	621	8.52
25000	1273	408	2.39	436	2.94	462	3.52	487	4.13	510	4.79	533	5.50	556	6.26	580	7.07	604	7.95	628	8.86
26000	1324	422	2.64	449	3.21	475	3.80	498	4.43	521	5.10	543	5.82	565	6.58	588	7.39	611	8.27	634	9.19
27000	1375	436	2.91	463	3.50	487	4.11	511	4.76	533	5.44	554	6.16	575	6.93	597	7.74	619	8.61	641	9.54
28000	1426	450	3.20	476	3.81	500	4.44	523	5.10	544	5.79	565	6.53	586	7.30	606	8.12	627	8.98	648	9.90
29000	1477	465	3.52	490	4.14	513	4.78	535	5.46	556	6.17	577	6.92	597	7.69	616	8.52	636	9.38	656	10.30
30000	1528	479	3.85	503	4.49	526	5.15	548	5.85	569	6.57	588	7.32	608	8.12	627	8.95	646	9.82	665	10.74
31000	1579	493	4.20	517	4.86	539	5.54	561	6.25	581	6.99	600	7.76	619	8.56	638	9.40	656	10.27	675	11.19
32000	1630	507	4.58	531	5.25	553	5.95	573	6.68	593	7.43	612	8.22	631	9.03	649	9.88	667	10.77	685	11.69
33000	1681	522	4.97	544	5.67	566	6.39	586	7.13	606	7.91	624	8.70	643	9.53	660	10.39	678	11.28	695	12.20
34000	1732	536	5.40	558	6.12	579	6.85	599	7.61	618	8.40	637	9.21	655	10.05	672	10.92	689	11.82	706	12.75
36000	1833	565	6.32	586	7.07	606	7.85	625	8.64	644	9.46	662	10.31	679	11.17	696	12.07	712	13.00	728	13.94
38000	1935	594	7.34	614	8.13	633	8.95	652	9.78	670	10.63	687	11.50	703	12.40	720	13.32	736	14.28	751	15.25
40000	2037	623	8.47	642	9.31	661	10.15	679	11.02	696	11.91	712	12.82	729	13.74	744	14.69	760	15.67	775	16.68
41000	2088	638	9.07	657	9.94	675	10.80	692	11.69	709	12.59	725	13.51	741	14.46	757	15.43	772	16.43	787	17.43
42000	2139	652	9.71	671	10.59	689	11.48	706	12.38	722	13.30	738	14.25	754	15.21	769	16.19	784	17.19	799	18.22
43000	2190	667	10.38	685	11.28	703	12.19	720	13.11	736	14.05	752	15.01	767	15.98	782	16.98	796	18.00	811	19.05
44000	2241	681	11.08	699	11.99	717	12.92	733	13.87	749	14.82	765	15.80	780	16.79	794	17.80	809	18.85	823	19.90
45000	2292	696	11.81	714	12.74	730	13.69	747	14.65	762	15.63	778	16.62	793	17.63	807	18.67	822	19.71	835	20.78
46000	2343	711	12.57	728	13.53	745	14.49	761	15.47	776	16.47	791	17.48	806	18.51	820	19.55	834	20.62	848	21.71
47000	2394	726	13.37	742	14.34	759	15.33	774	16.33	790	17.34	805	18.38	819	19.42	833	20.47	847	21.56	860	22.67
48000	2445	740	14.20	757	15.19	773	16.20	788	17.22	803	18.25	818	19.29	832	20.35	846	21.43	860	22.54	873	23.65
50000	2546	770	15.96	786	17.00	801	18.05	816	19.10	831	20.16	845	21.24	859	22.35	872	23.46	885	24.59	899	25.74
52000	2648	799	17.87	815	18.94	830	20.02	844	21.11	858	22.22	872	23.35	885	24.48	898	25.62	912	26.80	924	27.97
54000	2750	829	19.92	844	21.03	858	22.15	872	23.29	886	24.44	899	25.59	912	26.76	925	27.95	938	29.14	950	30.36
56000	2852	858	22.13	873	23.28	887	24.44	900	25.62	914	26.81	927	27.99	939	29.21	952	30.42	964	31.65	976	32.91
58000	2954	888	24.49	902	25.69	915	26.89	929	28.12	942	29.33	954	30.56	967	31.81	979	33.06	991	34.34	1003	35.61
60000	3056	918	27.03	931	28.26	944	29.52	957	30.77	970	32.02	982	33.31	994	34.57	1006	35.87	1018	37.17	1029	38.49
62000	3158	947	29.73	960	31.01	973	32.31	986	33.59	998	34.89	1010	36.20	1022	37.51	1033	38.85	1045	40.18	1056	41.54
64000	3260	977	32.61	990	33.94	1002	35.28	1014	36.59	1026	37.95	1038	39.28	1050	40.65	1061	42.00	1072	43.39	1083	44.76
66000	3361	1007	35.68	1019	37.05	1031	38.42	1043	39.78	1055	41.17	1066	42.54	1077	43.95	1088	45.34				
68000	3463	1036	38.94	1049	40.35	1060	41.76	1072	43.17	1083	44.58										
70000	3565	1066	42.39	1078	43.85	1090	45.29														
Volume O.Vel		1-3/8"SP		1-1/2"SP		1-3/4"SP		2"SP		2-1/4"SP		2-1/2"SP		2-3/4"SP		3"SP		3-1/4"SP		3-1/2"SP	
CFM	FPM	RPM	BHP	RPM	BHP	RPM	BHP	RPM	BHP	RPM	BHP	RPM	BHP	RPM	BHP	RPM	BHP	RPM	BHP	RPM	BHP
25000	1273	650	9.77	670	10.66	705	12.38														
26000	1324	657	10.13	678	11.08	715	12.90														
27000	1375	663	10.50	685	11.48	724	13.43	757	15.30												
28000	1426	670	10.88	691	11.88	731	13.91	766	15.88												
29000	1477	677	11.27	698	12.29	738	14.38	775	16.48	806	18.51										
30000	1528	685	11.70	705	12.72	745	14.86	782	17.04	815	19.15	844	21.22								
31000	1579	694	12.15	713	13.17	752	15.34	789	17.57	823	19.80	853	21.97								
32000	1630	703	12.65	721	13.65	759	15.82	796	18.12	831	20.45	863	22.72	891	24.96						
33000	1681	712	13.17	730	14.18	766	16.33	803	18.66	838	21.03	870	23.40	899	25.73	926	28.02				
34000	1732	723	13.72	739	14.73	774	16.88	809	19.20	845	21.65	878	24.12	908	26.55	935	28.90				
35000	1783	733	14.32	749	15.33	782	17.46	817	19.78	851	22.26	885	24.78	916	27.31	944	29.80	970	32.24		

Wheel Diameter = 54.25 in.

Outlet Area = 23.9 sq. ft. (with cone)

Outlet Area = 16.1 sq. ft. (without cone)

Tip Speed, fpm = 14.2 x RPM

Size

5425

Maximum RPM 986

Design 7410 Vaneaxial Fans

Volume O.Vel		1/8"SP		1/4"SP		3/8"SP		1/2"SP		5/8"SP		3/4"SP		7/8"SP		1"SP		1-1/8"SP		1-1/4"SP	
CFM	FPM	RPM	BHP	RPM	BHP	RPM	BHP	RPM	BHP	RPM	BHP	RPM	BHP	RPM	BHP	RPM	BHP	RPM	BHP	RPM	BHP
18000	748	244	0.86	280	1.33	317	1.91	351	2.56												
19000	789	253	0.96	288	1.44	322	2.02	357	2.70	386	3.37										
20000	831	263	1.07	296	1.56	328	2.14	362	2.83	392	3.55										
21000	873	272	1.19	305	1.70	335	2.28	367	2.97	398	3.73	424	4.47								
22000	914	282	1.32	314	1.84	343	2.44	372	3.12	403	3.89	430	4.69	453	5.46						
23000	956	292	1.46	323	2.00	351	2.60	378	3.28	407	4.06	436	4.90	460	5.72						
24000	997	301	1.61	332	2.16	359	2.78	385	3.47	413	4.24	441	5.10	466	5.96	488	6.81				
25000	1039	311	1.77	341	2.34	367	2.97	393	3.66	419	4.44	445	5.30	471	6.21	494	7.11	514	7.98		
26000	1080	321	1.94	350	2.53	376	3.18	401	3.88	425	4.65	451	5.52	476	6.44	500	7.39	521	8.30	539	9.21
27000	1122	331	2.13	359	2.74	385	3.40	409	4.11	432	4.88	456	5.74	481	6.68	505	7.66	527	8.63	546	9.57
28000	1163	342	2.33	369	2.96	393	3.63	417	4.35	439	5.13	462	5.99	486	6.93	510	7.92	533	8.95	553	9.95
29000	1205	352	2.55	378	3.19	403	3.87	425	4.61	447	5.40	469	6.26	492	7.19	515	8.20	538	9.25	558	10.30
30000	1246	362	2.77	388	3.43	412	4.13	434	4.88	455	5.68	476	6.55	498	7.47	520	8.49	542	9.55	564	10.63
31000	1288	372	3.01	398	3.69	421	4.41	443	5.17	463	5.99	484	6.85	504	7.78	526	8.78	547	9.85	569	10.97
32000	1330	383	3.27	407	3.97	430	4.70	451	5.48	472	6.30	492	7.18	512	8.11	532	9.10	553	10.18	574	11.32
33000	1371	393	3.54	417	4.26	439	5.01	460	5.80	480	6.64	500	7.52	519	8.46	538	9.46	558	10.52	578	11.65
34000	1413	403	3.83	427	4.56	449	5.33	469	6.14	489	6.98	508	7.88	527	8.82	545	9.82	564	10.89	584	12.02
35000	1454	414	4.14	437	4.89	458	5.67	478	6.49	498	7.36	516	8.26	534	9.21	553	10.22	571	11.28	590	12.41
36000	1496	424	4.46	447	5.23	468	6.03	488	6.87	507	7.74	525	8.66	543	9.62	560	10.63	578	11.69	596	12.82
37000	1537	435	4.79	457	5.58	478	6.40	497	7.25	516	8.15	533	9.07	551	10.05	568	11.07	585	12.14	602	13.26
38000	1579	445	5.15	467	5.96	487	6.79	506	7.66	525	8.57	542	9.51	559	10.50	576	11.52	593	12.59	609	13.72
39000	1620	456	5.52	477	6.35	497	7.20	516	8.09	534	9.01	551	9.97	568	10.97	584	12.01	601	13.09	617	14.21
40000	1662	466	5.91	487	6.76	507	7.64	525	8.54	543	9.48	560	10.44	576	11.45	593	12.50	608	13.59	624	14.72
41000	1704	477	6.33	497	7.19	517	8.09	535	9.00	552	9.96	569	10.95	585	11.96	601	13.02	617	14.12	632	15.27
42000	1745	488	6.76	508	7.65	526	8.55	544	9.49	561	10.46	578	11.46	594	12.49	610	13.56	625	14.67	640	15.82
43000	1787	498	7.21	518	8.12	536	9.04	554	10.00	571	10.98	587	11.99	603	13.04	618	14.13	633	15.24	648	16.40
44000	1828	509	7.68	528	8.60	546	9.55	564	10.52	580	11.53	596	12.56	612	13.62	627	14.72	642	15.85	656	17.01
45000	1870	520	8.17	538	9.12	556	10.08	573	11.07	590	12.09	606	13.14	621	14.22	636	15.32	650	16.46	665	17.64
46000	1911	530	8.69	549	9.65	566	10.64	583	11.64	599	12.68	615	13.74	630	14.83	645	15.95	659	17.11	673	18.30
47000	1953	541	9.22	559	10.21	576	11.21	593	12.24	609	13.29	624	14.37	639	15.47	654	16.61	668	17.79	682	18.98
48000	1994	552	9.78	570	10.78	586	11.81	603	12.85	619	13.93	634	15.02	649	16.14	663	17.29	677	18.47	691	19.68
49000	2036	562	10.36	580	11.39	597	12.43	613	13.49	628	14.58	643	15.69	658	16.83	672	17.99	686	19.19	699	20.42
50000	2077	573	10.96	590	12.02	607	13.07	623	14.15	638	15.25	653	16.38	667	17.54	681	18.72	695	19.94	708	21.17
51000	2119	584	11.59	601	12.66	617	13.74	633	14.84	648	15.96	662	17.10	677	18.28	690	19.48	704	20.70	717	21.95
52000	2161	595	12.25	611	13.33	627	14.44	643	15.55	658	16.69	672	17.86	686	19.05	700	20.25	713	21.49	726	22.75
53000	2202	605	12.92	622	14.03	638	15.15	653	16.29	667	17.45	682	18.63	695	19.82	709	21.05	722	22.31	735	23.60
54000	2244	616	13.63	632	14.75	648	15.89	663	17.05	677	18.22	691	19.42	705	20.63	718	21.88	731	23.16	744	24.45
55000	2327	638	15.11	653	16.27	668	17.45	683	18.64	697	19.86	711	21.09	724	22.35	737	23.63	750	24.92	762	26.25
58000	2410	660	16.70	675	17.91	689	19.12	703	20.35	717	21.61	731	22.88	743	24.16	756	25.46	769	26.80	781	28.16
60000	2493	681	18.41	696	19.65	710	20.91	724	22.18	737	23.46	750	24.76	763	26.08	775	27.44	787	28.79	799	30.18
65000	2701	736	23.17	749	24.51	762	25.86	775	27.23	788	28.61	800	30.02	812	31.42	824	32.85	835	34.30	847	35.76
70000	2908	790	28.70	803	30.15	815	31.60	827	33.08	839	34.54	851	36.03	862	37.55	873	39.05	884	40.60	895	42.14
75000	3116	845	35.07	857	36.62	869	38.19	880	39.74	891	41.31	902	42.90	913	44.49	923	46.12	934	47.72	944	49.39
80000	3324	899	42.33	911	43.99	922	45.65	933	47.30	943	48.99	954	50.65	964	52.37	974	54.04	984	55.78		
85000	3532	954	50.54	965	52.32	975	54.07	986	55.84												
Volume O.Vel	1-3/8"SP		1-1/2"SP		1-3/4"SP		2"SP		2-1/4"SP		2-1/2"SP		2-3/4"SP		3"SP		3-1/4"SP		3-1/2"SP		
CFM	FPM	RPM	BHP	RPM	BHP	RPM	BHP	RPM	BHP	RPM	BHP	RPM	BHP	RPM	BHP	RPM	BHP	RPM	BHP	RPM	BHP
29000	1205	577	11.33	595	12.35																
30000	1246	583	11.71	601	12.77																
31000	1288	589	12.10	607	13.21	640	15.38														
32000	1330	594	12.47	613	13.64	646	15.88														
33000	1371	599	12.83	618	14.03	653	16.43	683	18.69												
34000	1413	604	13.21	623	14.44	659	16.89	690	19.28												
35000	1454	609	13.60	628	14.85	664	17.38	696	19.88	724	22.30										
36000	1496	614	14.00	633	15.25	669	17.85	702	20.44	731	22.96										
37000	1537	620	14.44	638	15.69	674	18.32	708	21.02	738	23.63	764	26.20								
38000	1579	626	14.90	644	16.14	679	18.81	713	21.54	744	24.27	771	26.93								
40000	1662	640	15.90	656	17.14	689	19.79	723	22.61	755	25.51	784	28.38	809	31.17						
42000	1745	655	17.01	670	18.25	701	20.88	733	23.72	764	26.72	795	29.77	822	32.77	847	35.70				
44000	1828	671	18.21	685	19.46	714	22.09	744	24.92	774	27.95	805	31.11	833	34.30	859	37.44	883	40.52	905	43.62
46000	1911	687	19.53	701	20.78	729	23.44	756	26.24	785	29.26	814	32.47	843	35.79	870	39.11	895	42.39	918	45.64
48000	1994	704	20.93	717	22.21	744	24.87	770	27.69	797	30.70	825	33.90	853	37.28	880	40.74	906	44.20	930	47.63
50000	2077	721	22.43	734	23.74	759	26.43	785	29.28	810	32.28	836	35.46	863	38.84	890	42.36	916	45.96	941	49.55
52000	2161	739	24.06	751	25.37	776															

Wheel Diameter = 60.00 in.

Outlet Area = 29.6 sq. ft. (with cone)

Outlet Area = 19.6 sq. ft. (without cone)

Tip Speed, fpm = 15.7 x RPM

Size

6000

Maximum RPM 764

Design 7410 Vaneaxial Fans

Volume O.Vel		1/8"SP		1/4"SP		3/8"SP		1/2"SP		5/8"SP		3/4"SP		7/8"SP		1"SP		1-1/8"SP		1-1/4"SP	
CFM	FPM	RPM	BHP	RPM	BHP	RPM	BHP	RPM	BHP	RPM	BHP	RPM	BHP	RPM	BHP	RPM	BHP	RPM	BHP	RPM	BHP
17000	577	188	0.66	230	1.20																
18000	611	194	0.72	234	1.27	270	1.92														
19000	645	200	0.79	238	1.35	275	2.03														
20000	679	207	0.87	243	1.43	279	2.13														
21000	713	214	0.96	248	1.52	283	2.23	313	2.98												
22000	747	220	1.05	253	1.62	286	2.33	318	3.13												
23000	781	227	1.15	259	1.73	290	2.44	322	3.26	348	4.08										
24000	815	234	1.25	265	1.85	295	2.56	325	3.40	353	4.27										
25000	849	241	1.37	271	1.98	300	2.70	329	3.54	357	4.44	380	5.33								
26000	883	248	1.49	278	2.12	305	2.84	333	3.68	361	4.61	385	5.54								
27000	917	255	1.62	284	2.27	310	2.99	337	3.83	364	4.78	389	5.75	410	6.71						
28000	951	263	1.76	291	2.42	316	3.16	342	3.99	368	4.95	393	5.96	415	6.96						
29000	985	270	1.91	297	2.59	322	3.34	347	4.17	372	5.13	397	6.17	420	7.21	439	8.23				
30000	1019	277	2.07	304	2.76	328	3.52	352	4.37	376	5.31	401	6.37	424	7.46	444	8.52				
31000	1053	285	2.24	311	2.94	335	3.72	357	4.57	380	5.52	404	6.57	428	7.69	449	8.81	467	9.90		
32000	1087	292	2.41	318	3.14	341	3.93	363	4.79	385	5.74	408	6.79	431	7.93	453	9.10	472	10.23	489	11.34
33000	1121	300	2.60	325	3.34	348	4.15	369	5.02	390	5.97	412	7.02	435	8.17	457	9.36	476	10.54	494	11.70
34000	1155	307	2.80	332	3.56	354	4.38	375	5.26	396	6.22	417	7.26	439	8.41	460	9.63	481	10.88	499	12.09
35000	1189	314	3.01	339	3.79	361	4.62	381	5.51	402	6.48	422	7.53	443	8.67	464	9.90	484	11.16	503	12.42
36000	1223	322	3.23	346	4.02	367	4.87	388	5.78	407	6.75	427	7.80	447	8.94	467	10.17	488	11.47	507	12.79
37000	1257	330	3.46	353	4.28	374	5.14	394	6.06	413	7.04	432	8.10	452	9.23	471	10.46	492	11.78	511	13.11
38000	1291	337	3.71	360	4.54	381	5.42	401	6.35	419	7.35	438	8.40	457	9.54	476	10.77	495	12.08	514	13.45
39000	1325	345	3.96	367	4.81	388	5.71	407	6.65	426	7.66	444	8.73	462	9.87	480	11.09	499	12.41	518	13.79
40000	1359	352	4.23	374	5.10	395	6.01	414	6.97	432	7.99	450	9.07	467	10.22	485	11.43	503	12.74	522	14.13
41000	1393	360	4.51	382	5.40	402	6.33	421	7.31	438	8.33	456	9.43	473	10.57	490	11.79	507	13.10	526	14.49
42000	1427	368	4.81	389	5.71	409	6.66	427	7.65	445	8.69	462	9.79	479	10.96	495	12.18	512	13.47	530	14.85
43000	1461	376	5.12	396	6.04	416	7.00	434	8.01	451	9.07	468	10.18	484	11.34	501	12.57	517	13.88	534	15.26
44000	1495	383	5.44	404	6.38	423	7.36	441	8.39	458	9.45	474	10.58	490	11.75	506	12.99	522	14.29	539	15.66
45000	1529	391	5.77	411	6.74	430	7.73	448	8.77	464	9.86	481	10.99	497	12.18	512	13.43	528	14.73	543	16.10
46000	1563	399	6.12	419	7.11	437	8.12	454	9.17	471	10.28	487	11.42	503	12.62	518	13.87	533	15.18	549	16.55
47000	1596	407	6.49	426	7.49	444	8.52	461	9.59	478	10.71	494	11.88	509	13.08	524	14.34	539	15.66	554	17.03
48000	1630	414	6.87	433	7.89	451	8.94	468	10.03	485	11.16	500	12.33	515	13.55	530	14.83	545	16.15	559	17.53
50000	1698	430	7.67	449	8.73	466	9.82	482	10.94	498	12.11	514	13.31	528	14.56	543	15.85	557	17.19	571	18.59
52000	1766	446	8.55	464	9.64	480	10.76	497	11.93	512	13.11	527	14.35	541	15.62	555	16.94	569	18.30	582	19.71
54000	1834	462	9.48	479	10.62	495	11.78	511	12.97	526	14.20	541	15.47	555	16.77	568	18.11	582	19.50	595	20.92
56000	1902	477	10.49	494	11.66	510	12.86	525	14.09	540	15.35	554	16.64	568	17.97	581	19.34	594	20.75	607	22.21
60000	2038	509	12.71	525	13.97	540	15.24	554	16.54	568	17.87	582	19.23	595	20.62	608	22.05	620	23.51	633	25.02
65000	2208	549	15.93	564	17.28	578	18.66	591	20.05	605	21.47	618	22.91	630	24.38	642	25.89	654	27.43	666	29.01
70000	2378	589	19.66	603	21.11	616	22.58	629	24.07	641	25.58	654	27.12	665	28.68	677	30.26	688	31.87	700	33.54
75000	2548	629	23.96	642	25.52	655	27.09	667	28.66	679	30.26	690	31.88	701	33.54	713	35.21	723	36.90	734	38.63
80000	2717	669	28.85	681	30.50	693	32.16	705	33.84	716	35.55	727	37.27	738	38.99	749	40.76	759	42.54		
85000	2887	709	34.37	721	36.12	732	37.89	743	39.68	754	41.47										
90000	3057	750	40.57	761	42.43																
Volume O.Vel	1-3/8"SP		1-1/2"SP		1-3/4"SP		2"SP		2-1/4"SP		2-1/2"SP		2-3/4"SP		3"SP		3-1/4"SP		3-1/2"SP		
CFM	FPM	RPM	BHP	RPM	BHP	RPM	BHP	RPM	BHP	RPM	BHP	RPM	BHP	RPM	BHP	RPM	BHP	RPM	BHP	RPM	BHP
38000	1291	533	14.83	549	16.19	579	18.86														
39000	1325	536	15.20	554	16.62	584	19.35														
40000	1359	540	15.57	557	17.01	589	19.88														
41000	1393	544	15.95	561	17.44	593	20.37	621	23.27												
42000	1427	547	16.31	565	17.82	597	20.87	625	23.82												
43000	1461	551	16.72	569	18.25	601	21.35	631	24.44	656	27.41										
44000	1495	555	17.11	572	18.64	605	21.82	635	24.98	661	28.07										
45000	1529	560	17.55	576	19.09	609	22.29	639	25.56	666	28.72	689	31.84								
46000	1562	564	18.00	580	19.52	612	22.76	643	26.09	671	29.41	695	32.61								
47000	1596	569	18.48	584	20.00	616	23.24	647	26.63	675	30.01	699	33.31	722	36.55						
48000	1630	574	18.97	589	20.48	620	23.73	650	27.17	679	30.68	705	34.08	728	37.45						
49000	1664	579	19.49	594	21.00	624	24.24	654	27.70	683	31.25	709	34.77	732	38.19						
50000	1698	585	20.04	599	21.54	628	24.76	658	28.26	686	31.87	713	35.47	737	39.01	759	42.53				
51000	1732	590	20.59	604	22.10	632	25.33	661	28.80	690	32.47	717	36.18	742	39.83	7					

Wheel Diameter = 73.00 in.
 Outlet Area = 43.3 sq. ft. (with cone)
 Outlet Area = 29.1 sq. ft. (without cone)
 Tip Speed, fpm = 19.1 x RPM

Size

7300

Maximum RPM 628

Design 7410 Vaneaxial Fans

Volume O.Vel		1/8"SP		1/4"SP		3/8"SP		1/2"SP		5/8"SP		3/4"SP		7/8"SP		1"SP		1-1/8"SP		1-1/4"SP	
CFM	FPM	RPM	BHP	RPM	BHP	RPM	BHP	RPM	BHP	RPM	BHP	RPM	BHP	RPM	BHP	RPM	BHP	RPM	BHP	RPM	BHP
28000	643	164	1.17	195	1.98	226	2.99														
30000	688	172	1.32	200	2.15	230	3.19	254	4.26												
32000	734	179	1.50	206	2.35	234	3.40	260	4.55												
34000	780	187	1.69	213	2.56	238	3.61	264	4.83	286	6.03										
36000	826	194	1.91	220	2.80	243	3.85	268	5.09	291	6.40										
38000	872	202	2.15	227	3.07	249	4.13	272	5.37	295	6.74	315	8.09								
40000	918	210	2.41	234	3.36	255	4.44	277	5.67	300	7.08	320	8.52	337	9.94						
42000	964	218	2.69	241	3.67	262	4.77	282	6.01	304	7.42	324	8.94	343	10.45	358	11.89				
44000	1010	226	3.00	248	4.01	269	5.13	288	6.38	308	7.79	328	9.34	347	10.94	364	12.49				
46000	1056	234	3.33	256	4.38	276	5.53	294	6.79	313	8.19	332	9.75	352	11.41	369	13.07	384	14.68		
48000	1101	243	3.69	264	4.77	283	5.95	301	7.23	318	8.63	337	10.19	356	11.88	374	13.63	390	15.36	404	17.03
50000	1147	251	4.08	271	5.20	290	6.40	307	7.71	324	9.12	342	10.67	360	12.36	378	14.17	394	15.98	409	17.76
52000	1193	259	4.50	279	5.65	297	6.88	314	8.21	331	9.64	347	11.19	364	12.88	382	14.72	398	16.59	414	18.46
54000	1239	268	4.95	287	6.13	305	7.40	321	8.75	337	10.20	353	11.76	369	13.44	386	15.27	402	17.19	418	19.15
56000	1285	276	5.43	295	6.65	312	7.95	328	9.33	344	10.80	359	12.36	375	14.05	390	15.86	406	17.80	422	19.83
58000	1331	285	5.94	303	7.20	320	8.53	336	9.93	351	11.42	366	13.01	380	14.70	395	16.51	411	18.45	426	20.51
60000	1377	293	6.48	311	7.78	327	9.14	343	10.58	358	12.10	372	13.70	386	15.40	401	17.21	415	19.14	430	21.19
62000	1423	302	7.07	319	8.40	335	9.80	350	11.26	365	12.81	379	14.43	393	16.15	407	17.96	420	19.88	435	21.92
64000	1469	310	7.69	327	9.05	343	10.49	358	11.98	372	13.56	386	15.20	399	16.93	413	18.75	426	20.68	440	22.72
66000	1514	319	8.34	335	9.75	351	11.22	366	12.75	379	14.34	393	16.01	406	17.77	419	19.60	432	21.53	445	23.56
68000	1560	327	9.03	344	10.48	359	11.98	373	13.54	387	15.18	400	16.87	413	18.64	425	20.49	438	22.43	451	24.46
70000	1606	336	9.76	352	11.25	367	12.79	381	14.39	394	16.04	407	17.77	420	19.57	432	21.43	444	23.39	457	25.43
72000	1652	345	10.54	360	12.06	375	13.64	389	15.27	402	16.95	415	18.70	427	20.52	439	22.41	451	24.38	463	26.43
74000	1698	353	11.35	369	12.92	383	14.54	396	16.19	409	17.91	422	19.70	434	21.54	446	23.45	457	25.44	469	27.51
76000	1744	362	12.21	377	13.82	391	15.46	404	17.16	417	18.91	429	20.72	441	22.60	453	24.53	464	26.54	475	28.61
78000	1790	371	13.12	385	14.76	399	16.44	412	18.18	425	19.96	437	21.80	449	23.70	460	25.66	471	27.69	482	29.79
80000	1836	380	14.07	394	15.75	407	17.47	420	19.23	433	21.06	445	22.93	456	24.86	467	26.85	478	28.90	489	31.01
82000	1882	388	15.06	402	16.78	416	18.54	428	20.34	440	22.19	452	24.09	463	26.05	474	28.07	485	30.14	496	32.28
84000	1928	397	16.10	411	17.86	424	19.66	436	21.50	448	23.38	460	25.31	471	27.30	482	29.35	492	31.45	503	33.63
86000	1973	406	17.19	419	18.99	432	20.83	444	22.71	456	24.63	467	26.60	479	28.62	489	30.70	500	32.81	510	34.99
88000	2019	415	18.33	428	20.18	440	22.04	452	23.96	464	25.92	475	27.92	486	29.97	497	32.06	507	34.21	517	36.43
90000	2065	424	19.53	436	21.42	449	23.32	461	25.26	472	27.25	483	29.29	494	31.37	504	33.50	514	35.69	524	37.94
92000	2111	432	20.77	445	22.70	457	24.64	469	26.62	480	28.65	491	30.72	501	32.83	512	35.01	522	37.22	532	39.46
94000	2157	441	22.07	454	24.03	466	26.03	477	28.05	488	30.11	499	32.21	509	34.37	519	36.55	529	38.78	539	41.07
96000	2203	450	23.42	462	25.42	474	27.46	485	29.52	496	31.62	507	33.75	517	35.92	527	38.14	537	40.42	546	42.76
98000	2249	459	24.83	471	26.87	482	28.94	493	31.04	504	33.17	515	35.34	525	37.55	535	39.81	544	42.13	554	44.46
100000	2295	468	26.30	480	28.38	491	30.48	502	32.62	512	34.78	523	36.99	533	39.24	542	41.55	552	43.86	561	46.23
105000	2409	490	30.23	501	32.40	512	34.60	523	36.84	533	39.10	543	41.41	552	43.72	562	46.09	571	48.52	580	50.97
110000	2524	512	34.54	523	36.82	534	39.12	544	41.45	553	43.79	563	46.17	572	48.60	582	51.07	590	53.54	599	56.08
115000	2639	535	39.25	545	41.63	555	44.02	565	46.43	574	48.88	584	51.37	593	53.88	601	56.41	610	59.01	619	61.60
120000	2754	557	44.37	567	46.85	577	49.33	586	51.85	595	54.42	604	56.98	613	59.56	622	62.22				
125000	2868	579	49.92	589	52.50	598	55.09	607	57.73	616	60.36	625	63.01								
130000	2983	602	55.93	611	58.61	620	61.32														
135000	3098	624	62.41																		

Volume O.Vel		1-3/8"SP		1-1/2"SP		1-3/4"SP		2"SP		2-1/4"SP		2-1/2"SP		2-3/4"SP		3"SP		3-1/4"SP		3-1/2"SP	
CFM	FPM	RPM	BHP	RPM	BHP	RPM	BHP	RPM	BHP	RPM	BHP	RPM	BHP	RPM	BHP	RPM	BHP	RPM	BHP	RPM	BHP
54000	1239	433	21.08	446	22.98																
56000	1285	437	21.87	451	23.86	475	27.77														
58000	1331	442	22.61	456	24.72	481	28.79														
60000	1377	445	23.33	460	25.51	486	29.85	508	34.01												
62000	1423	449	24.08	464	26.31	491	30.80	514	35.16												
64000	1469	454	24.88	468	27.14	495	31.75	519	36.39	540	40.84										
66000	1514	458	25.71	472	27.97	499	32.73	524	37.46	545	42.10										
68000	1560	463	26.60	476	28.85	503	33.65	528	38.57	551	43.48										
70000	1606	469	27.57	481	29.81	507	34.60	532	39.68	555	44.69	576	49.63	595	54.48						
72000	1652	474	28.57	487	30.80	511	35.62	536	40.71	560	45.95	581	51.12	600	56.12						
74000	1698	481	29.66	492	31.88	516	36.65	540	41.82	564	47.17	586	52.49	606	57.74	624	62.94				
76000	1744	487	30.76	498	33.01	521	37.77	544	42.93	568	48.35	590	53.87	611	59.31						
78000	1790	493	31.97	504	34.20	526	38.95	549	44.09	572	49.62	595	55.23	615	60.87						
80000	1836	500	33.19	510	35.45	532	40.21	554	45.34	576	50.81	598	56.55	620	62.34						
82000	1882	506	34.49	517	36.77	537	41.53	559	46.63	581	52.13	603	57.94	624	63.87						
84000	1928	513	35.83	523	38.11	544	42.92	564	48.02	585	53.47	607	59.27	628	65.29						
86000	1973	520	37.23	530	39.56	550	44.35	570	49.46	590	54.92	611	60.75								
88000	2019	527	38.72	537	41.02	556	45.89	576	50.99	595	56.41	615	62.19								
90000	2065	534	40.21	544	42.55	563	47.43	582	52.58	601	58.03	620	63.80								



Northern Blower Inc.
901 Regent Avenue West
Winnipeg, Manitoba
Canada R2C 2Z8
☎ 204.222.4216
☎ 204.222.7601
☎ info@northernblower.com
🌐 www.northernblower.com